

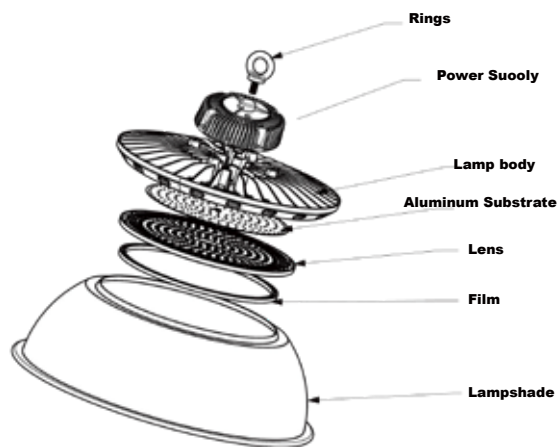
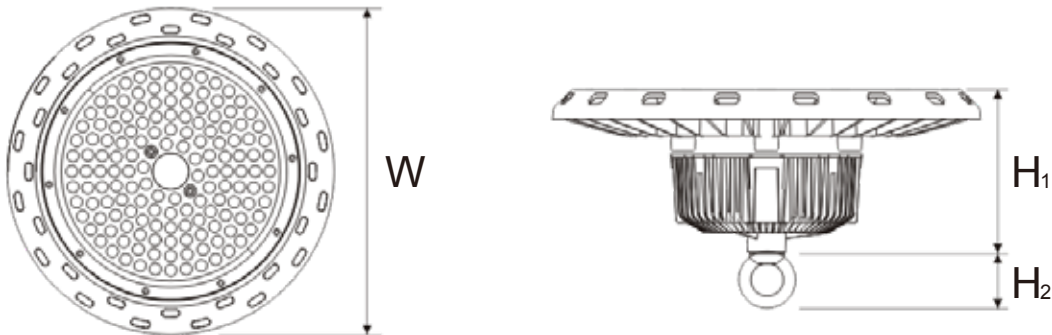
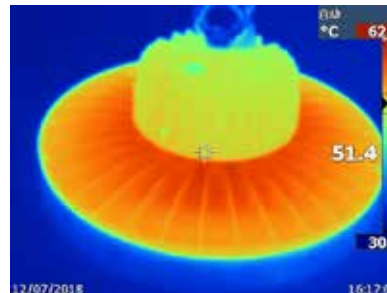
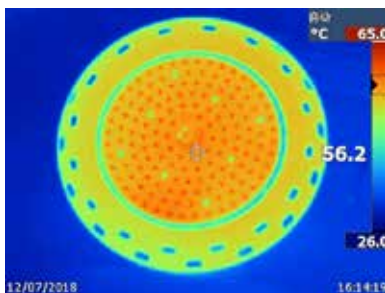
LED High Bay



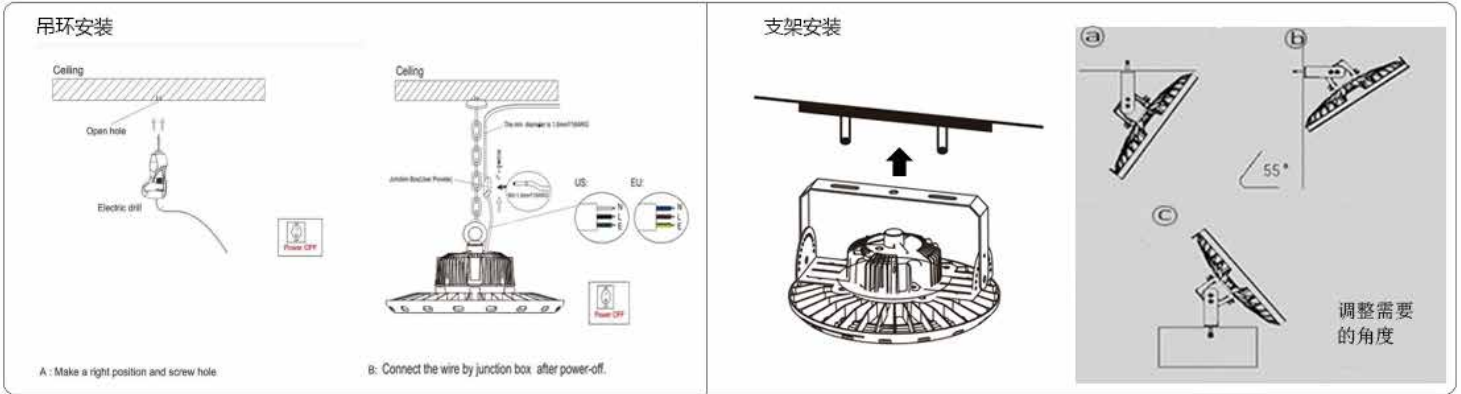
Product Spec:

Product Code	Dimension W*H*H. [mm]	Power [W]	Input Voltage [V]	Efficiency [lm/W]	Color Temp[K]	CRI	Beam Angle	IP	LED Chip
AL-HB01-100W	290*111*46mm	100W	AC90-305V	120lm/W	3000K-4500K	≥80	60°90°120°	IP65	SMD3030
AL-HB01-150W	335*118*46mm	150W	AC90-305V	120lm/W	3000K-4500K	≥80	60°90°120°	IP65	SMD3030
AL-HB01-200W	385*124*46mm	200W	AC90-305V	120lm/W	3000K-4500K	≥80	60°90°120°	IP65	SMD3030



Dimension(mm):

Thermal Image:


Installation diagram



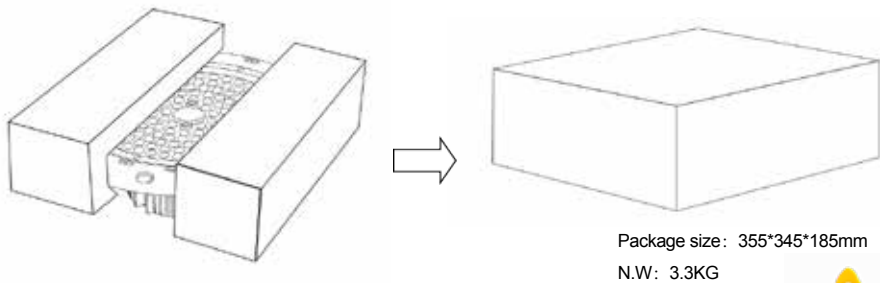
Installation Instructions for suspended use

- The modification must be done by qualified people
- Before you start make sure that the supply voltage is disconnected so you can work safely
- Drill a hole in the ceiling at the position you want the light to be installed and put in a screw/hook
- Place the hanging rope/chain on the hook and adjust the length
- Hang the luminaire on the rope by using the hook mounted on the top of the luminaire
- Connect the driver to the power line, pay attention to the cable, L/N is brown and green color, G is two color cable

Installation Instructions for Surface mounting

- The modification must be done by qualified people
- Before you start make sure that the supply voltage is disconnected so you can work safely
- Drill two 10mm holes in the ceiling at the position you want the light to be installed and put in the screws
- Screw the luminaire tightly at the ceiling
- Connect the driver to the power line, pay attention to the cable, L/N is brown and green color, G is two color cable

Package Details:



Storage environment

- Working temperature: -20 °C --- + 40 °C
- Storage temperature: -25 °C --- + 65 °C
- Storage environment: Dry place